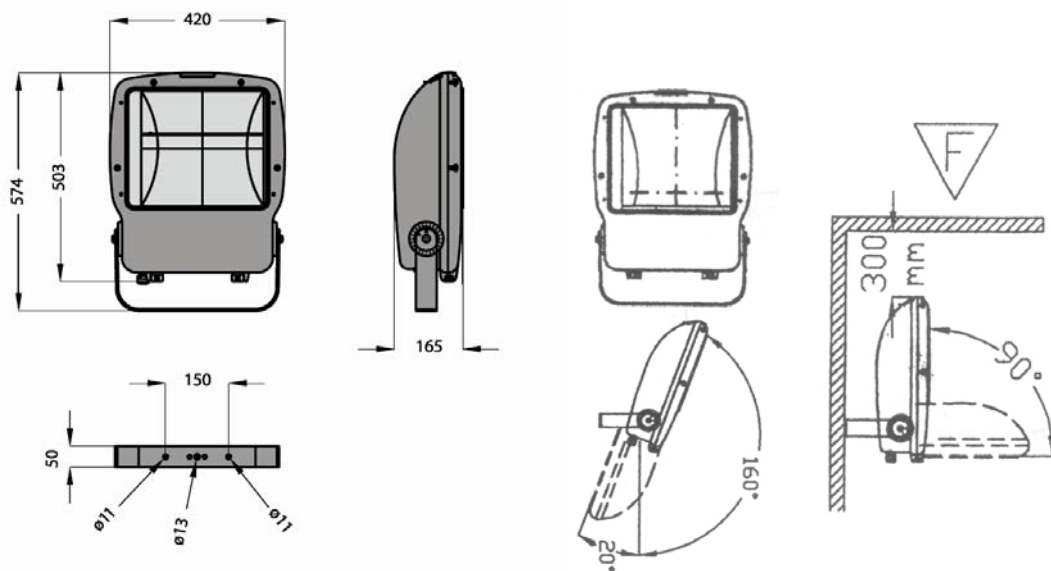


LIH UV Master Junior 250W skylight ECG symmetric SPOT

Rated power output	250W
Protection class	IP66
Protection type	I
UV lamp	LIH 250W UVA/UV B code14041970
UV transparent glass	Code 14041971
Line voltage	230V (standard)
Weight	12.4 kg


Fig.1 Dimensions and possible positions
• Safety considerations for people and animals

- The device LIH UV Master Junior 250W skylight does not only simulate sun in both UVA and UVB range; it also provides light at 10000K with very good color rendition in the visible range. Additional light that may come e. g. through windows, roof lights or luminaires allows regulation of the UV dose over time, so the device may be switched off early, while the artificial day for the animals continues. If you operate the device without additional sources of light, it is essential to make sure that the maximum UV dose for the animals will not be exceeded.
- UV radiation may cause serious burn injuries to people (sunburn) depending on their skin type. Protect your skin by appropriate clothing and sunscreen and wear glasses with protective lenses. UV Master Junior is not certified as a medical product for medical or esthetic treatment of human beings e. g. as a cure or tanning treatment.
- A veterinarian or biologist must define time t and exposure level E_{UV-B} for animals exposed to UV B radiation.
- Areas free for visitors must not be exposed to UV radiation.
- We recommend a cut-off mechanism at the door protecting animal keepers and other staff members from burn injuries.
- Exposure ($H_{UV-B} = E_{UV-B} \times t$) defines the radiation effect.

- For some animals the installation of an additional infrared radiation device may be reasonable.
- We recommend starting exposure of animals with very small doses. Radiation from above is ideal, as it simulates radiation from the sun and the animals' eyes are protected naturally.
- Always provide a minimum distance of 0.8 m between projector and exposed surface. Irradiation intensity depends very much on the distance between UV Master Junior and exposed animals. As animals move, this distance will change frequently and irradiation intensity will change accordingly.

• **Installation guide:**

- Select a distance between UV Master Junior and objects in its environment considering the selected application as well as UV sensitivity and temperature sensitivity of the exposed animals.
- Fix UV Master Junior in a manner that prevents it from damage caused by the exposed animals.
- Install the device according to the technical requirements for the UV lamp used.
- The luminaire may be fixed to flammable surfaces.
- For fixing the UV Master Junior 250W we recommend using two bolts M10, spring lock washers and nuts.
- Turn off the voltage before opening the device.
- Broken front screens have to be replaced immediately; use original LIH screen only (code 14041971).
- Safe operation of UV Master Junior can be guaranteed only if all operating instructions will be applied.
- Keep this manual after installation for later reference.

• **Fitting and replacement of the UV lamp**

- **Switch off the device and make sure it will not be switched on by accident.**
- For fitting or replacement of the UV lamp detach the cover.
- Remove the bulb by pulling.
- Position and fix the UV lamp in the Fc2 socket.
- Make sure that the UV lamp contacts are tight.
- One socket in the UV Junior 250W is fixed in one position. The second socket must be flexible at any time: otherwise the hot bulb will break due to thermal stress.
- Change the special glass screen only if it is defective. When closing the cover make sure that the frame seal is integrated correctly into the notches.
- Then tighten the 2 bolts fixing the cover.

• **How to influence UV-B irradiance level:**

- Change of spacing: the intensity of UV B radiation is very dependent on the distance between device and exposed animal.
-
- Reflektortausch : Durch Austausch von verschiedenen Reflektoren aus unserem Sortiment kann der Lichtkegel in der Bestrahlungsstärke und dem Bestrahlungsradius verändert werden.

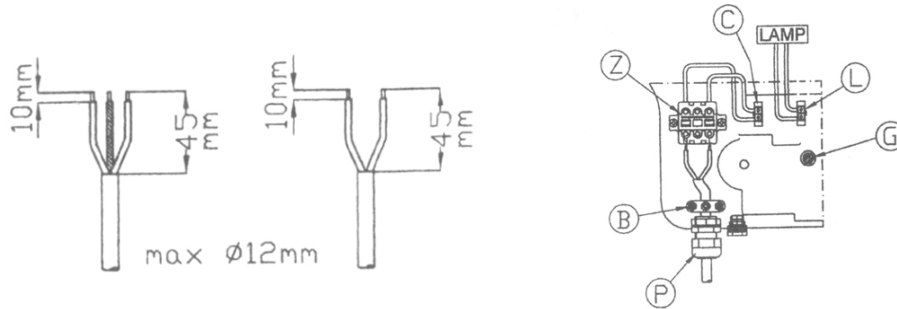
• **Electrical Connections**

- Connection to power supply: three-pole cable incl. grounding:
L = line cable brown

N = neutral cable blue
grounding cable yellow green

- Run the supply cable through the cable bushing into the case providing needed length. Lock the cable inside the case with two bolts using the clamp (strain relief). Connect cable cores using cable clamps. Screw ring tight to the cable bushing. Strip cable ends as shown in figure 2.

Fig. 2



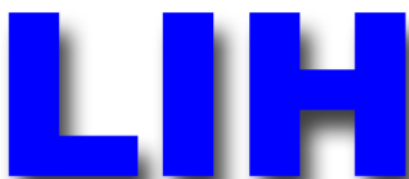
- Each cable must be connected to the connector block and locked safely.
- When all cables are connected, make sure that there is no bare copper protruding out of the clamps.

WARNING!

Never touch hot screen with bare fingers!

Never spray cold water on the protective screen while it is still hot, as this will cause damage to the screen!

Always switch off UV Master Junior and allow it to cool off before cleaning!



LIH Light Impex Henze GmbH
Bgm.-Schwaiger-Straße 43
D-85567 Grafing bei München
Tel.:+49/(0)8092 709957
Fax:+49/(0)8092 709958
info@lih.de - www.lih.de