



PrimaVision Twin for CDM

HID-PV C 2x35 /S CDM 220-240V 50/60Hz

Dual CDM lamp operation, single HID electronic gear – improves cost effectiveness and increases luminaire design flexibility

Product data

General Information	
Application Code	Int. Earth Loop
Design	-
Lamp Type	CDM
Number Of Lamps	2 piece/unit
Suitable For Outdoor Use	No
Number Of Products On MCB (16A Type B) (Nom)	14
Automatic Restart	Yes

Operating and Electrical	
Input Voltage	220 to 240 V
Input Frequency	50 to 60 Hz
Operating Frequency (Nom)	0.14 kHz
Power Factor 100% Load (Nom)	0.95
Ignition Voltage (Max)	4.5 kV
Ignition Switch-Off Time (Nom)	20 min
Mains Voltage Performance (AC)	-10%+6%
Mains Voltage Safety (AC)	-18%+10%
Earth Leakage Current (Max)	0.5 mA
Inrush Current Width	0.5 ms

Constant Wattage Deviation	-3%/+3%
Power Losses (Nom)	8 W
Inrush Current Peak (Max)	33 A

Wiring	
Cable Capacity Output Wires Mutual (Nom)	120 pF
Wire Striplength	10.0-11.0 mm
Ballast Contact Wire Cross Section	0.50-2.50 mm ²
Connector Type	Insert

System characteristics	
Rated Ballast-Lamp Power	35 W

Temperature	
T-Ambient (Max)	55 °C
T-Ambient (Min)	-20 °C
T-Storage (Max)	80 °C
T-Storage (Min)	-25 °C
T-Case Lifetime (Nom)	70 °C
T-Case Maximum (Max)	80 °C

PrimaVision Twin for CDM

Mechanical and Housing

Housing	/S
---------	----

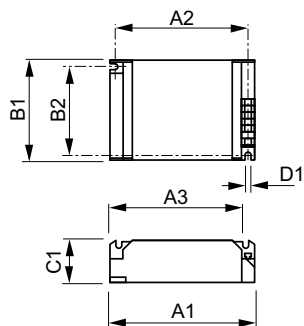
Approval and Application

Active Temperature Protection	Yes
EMI 9 kHz ... 300 MHz	CISPR 15 ed 7.2
Vibration Standard	IEC68-2-6 F c
Bumps Standard	IEC 68-2-29 Eb
Approval Marks	F-Marking CE marking ENEC certificate CB Certificate
Hum And Noise Level	Inaudible

Product Data

Full product code	872790089572800
Order product name	HID-PV C 2x35 /S CDM 220-240V 50/60Hz
EAN/UPC - Product	8711500881892
Order code	913700656866
Numerator - Quantity Per Pack	1
Numerator - Packs per outer box	12
Material Nr. (12NC)	913700656866
Net Weight (Piece)	0.271 kg

Dimensional drawing



HID-PV C 2x35 /S CDM 220-240V 50/60Hz

Product	D1	C1	A1	A2	B1	B2
HID-PV C 2x35 /S CDM 220-240V 50/60Hz	4.5 mm	32.0 mm	135.0 mm	123.5 mm	75.0 mm	63.5 mm

