

# AspiraVision Compact for CDM

HID-AV C 35-70 /S CDM 220-240V 50/60Hz

AspiraVision is the mark of excellence in HID electronic gear technology – high-end, compact, lightweight and easy to use, with added features for optimal performance of 35, 50 and 70 W CDM lamps. The recently added switching function provides maximum flexibility for users by integrating three different wattage choices into a single driver.

## Product data

### • General Information

Application Code	-
Lamp Type	CDM
Number Of Lamps	1 piece/unit
Suitable For Outdoor Use	No
Number Of Products On MCB (16A Type B) (Nom)	58
Automatic Restart	Yes

### • Operating and Electrical

Input Voltage	220 to 240 V
Input Frequency	50 to 60 Hz
Minimum Mains Voltage Operation (Min)	198 V
Power Factor 100% Load (Nom)	0.95
Ignition Voltage (Max)	5.0 kV
Ignition Voltage (Min)	3.0 kV
Ignition Switch-Off Time (Nom)	19 min
Mains Voltage Performance (AC)	198-254V
Mains Voltage Safety (AC)	180-264V
Earth Leakage Current (Max)	0.25 mA
Inrush Current Width	10 ms
Lamp Power Tolerance	-3%/+3%
Inrush Current Peak (Max)	8 A

### • Wiring

Cable Capacity	160 pF
Output Wires Mutual (Nom)	
Cable Length From Device To Lamp	2 m
Wire Striplength	10.0-11.0 mm
Ballast Contact Wire Cross Section	0.75-2.50 mm <sup>2</sup>
Connector Type	WAGO series 804

### • System characteristics

Rated Ballast-Lamp Power	35-70 W
Lamp Power On CDM	39-73 W
Power Loss On CDM	5-7 W

### • Temperature

T-Ambient (Max)	55 °C
T-Ambient (Min)	-20 °C
T-Storage (Max)	80 °C
T-Storage (Min)	-25 °C
T-Case Lifetime (Nom)	80 °C

### • Controls and Dimming

Control Interface	-
-------------------	---

**PHILIPS**

# AspiraVision Compact for CDM

## Mechanical and Housing

Housing /S

## Approval and Application

Surge Protection (Common/Differential)	EN61547 (L-L 2kV, L-G 4kV) kV
IP Classification	Not Specified
Luminaire	
Overvoltage Protection 400Vac	5 min
Active Temperature Protection	Yes
EMI 9 kHz ... 300 MHz	CISPR 15 ed 7.2
Safety Standard	EN 61347-2-12 and 2-1
Quality Standard	ISO 9000:2000
Environmental Standard	ISO 14001
Harmonic Current Emission Standard	IEC 61000-3-2
Vibration Standard	IEC 68-2-6 Fc
Bumps Standard	IEC 68-2-29 Eb

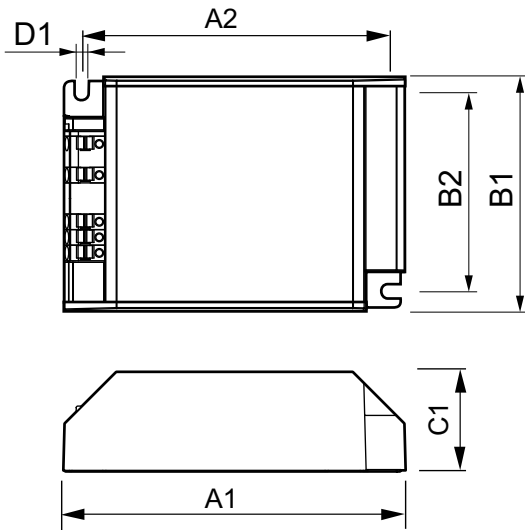
Humidity Standard IEC 60928 clause 13  
Approval Marks F-Marking  
CE marking  
ENEC certificate  
VDE certificate  
CB Certificate  
VDE-EMC marking

Hum And Noise Level 20 dB(A)

## Product Data

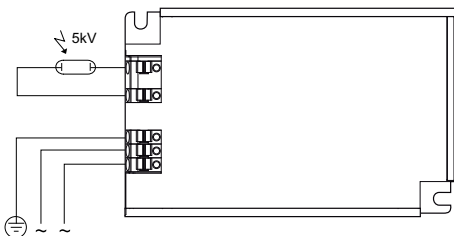
Full product code	871829123310700
Order product name	HID-AV C 35-70 /S CDM 220-240V 50/60Hz
EAN/UPC - Product	8718291233107
Order code	913700683866
Numerator - Quantity Per Pack	1
Numerator - Packs per outer box	12
Material Nr. (12NC)	913700683866
Net Weight (Piece)	0.220 kg

## Dimensional drawing



## HID-AV C 35-70 /S CDM 220-240V 50/60Hz

Product	D1	C1	A1	A2	B1	B2
HID-AV C 35-70 /S CDM 220-240V 50/60Hz	4.5 mm	32.1 mm	110.0 mm	98.5 mm	75.0 mm	63.5 mm





© 2016 Philips Lighting Holding B.V.  
All rights reserved.

Specifications are subject to change without notice. Trademarks are the property of Koninklijke Philips N.V. (Royal Philips) or their respective owners.

[www.philips.com/lighting](http://www.philips.com/lighting)

2016, July 29  
data subject to change